

## Cross laser, red, 650 nm, 90 °, 1.2 mW

CB650-1.2-3(16X58)-F100  
Order Number: 70100518

Main Parameters (*)	min	typ	max	Unit
Wavelength		650		nm
Optical Output Power		1.2		mW
Operating Voltage	2.7	3	3.3	V DC
Operating Current	15	25	40	mA
Operating Temperature	-20		50	°C
Storage Temperature	-40		80	°C

### Main Data

Warranty 1 years

### Technical Parameters

Lifetime > 5,000 h  
RoHS yes

### Optical Parameters

Beam Shape	Cross
Laser Class	1
Divergence	B - 0.3 mrad
Fan Angle	90 °
Line Thickness	<0.3mm@0.1m
Operating Distance	0.1 m
Optics	glass lens AR coated
Laser technology	Single Mode Diode
Focus	fixed (100mm)

### Electrical Parameters

Potential of Housing	isolated
Max. Mod. Frequency	50 kHz
Power Supply	LFNT-3

### Mechanical Parameters

Size	Ø16x58 mm
Material	aluminium
Cable length	100 mm
Wire type	26AWG, 0,14mm <sup>2</sup>
Output Aperture	6.8 mm
Housing Color	black
Weight	23 g

(\*) Over the complete operating temperature range

### Features



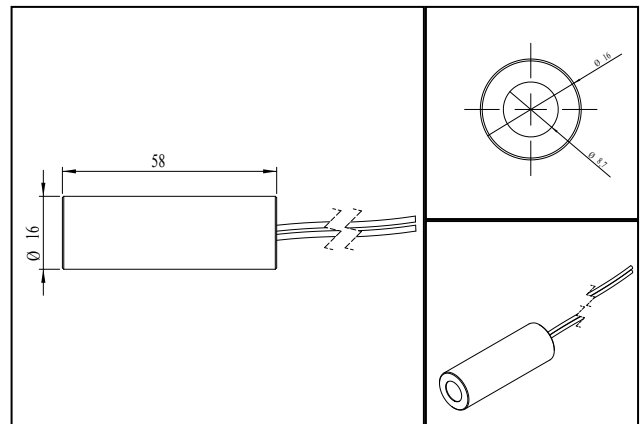
### Picture



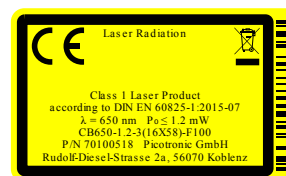
### Cable color

Ground		black	GND
positive		red	2.7 - 3.3, typ 3 V DC

### Drawing



### Safety Label



### Valid Revision

1 | 27-SEP-2021